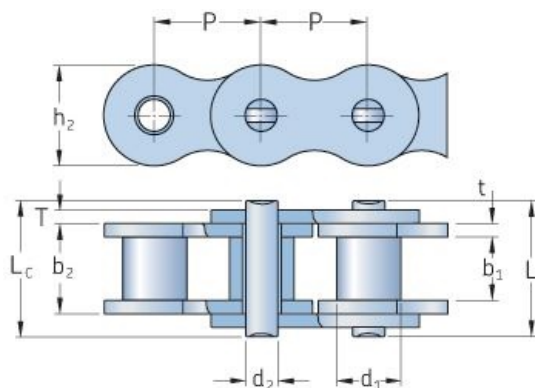


# PHC 08B-1SLRX10FT



Pitch P (mm)	12.7
Pitch P (in)	0.5
Roller diameter $d_1$ max (mm)	8.51
Roller diameter $d_1$ max (in)	0.34
Width between inner plates $b_1$ max (mm)	7.75
Width between inner plates $b_1$ max (in)	0.31
Pin diameter $d_2$ max (mm)	4.45
Pin diameter $d_2$ max (in)	0.18
Plate height $h_2$ max (mm)	11.8
Plate height $h_2$ max (in)	0.46
Plate thickness T max (mm)	1.6
Plate thickness T max (in)	0.06
Weight (kg/m)	0.69
Weight (lbs/ft)	-