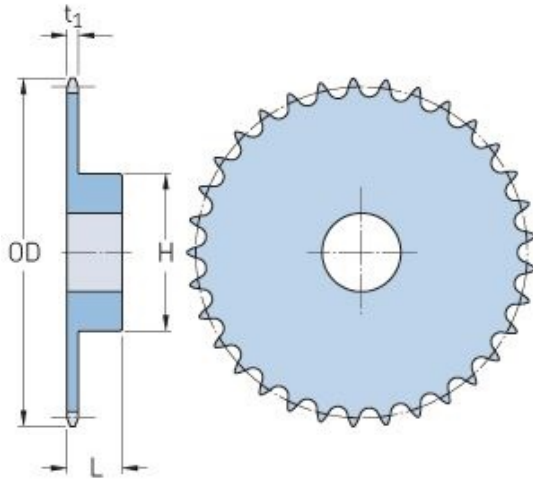


PHS 50-1B27



Pitch P (in)	0.63
No. of teeth	27
Diameter (in)	5.72
Min. bore (in)	0.75
Max. bore (in)	2
Hub H (in)	3
Hub L (in)	1.25
Weight (lbs)	3.74