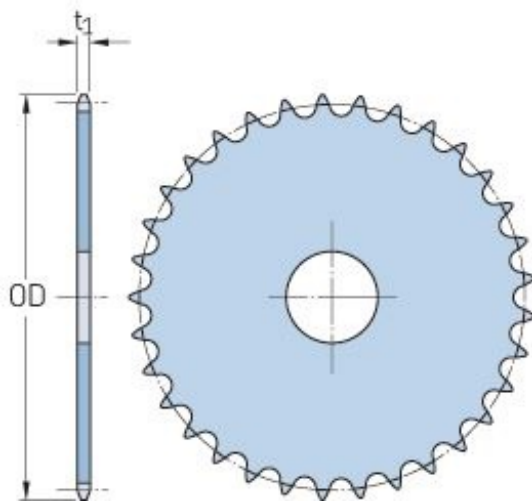


PHS 60-1A48



Pitch P (in)	0.75
No. of teeth	48
Diameter (in)	11.89
Min. bore (in)	-
Max. bore (in)	-
Hub H (in)	-
Hub L (in)	-
Weight (lbs)	12.42