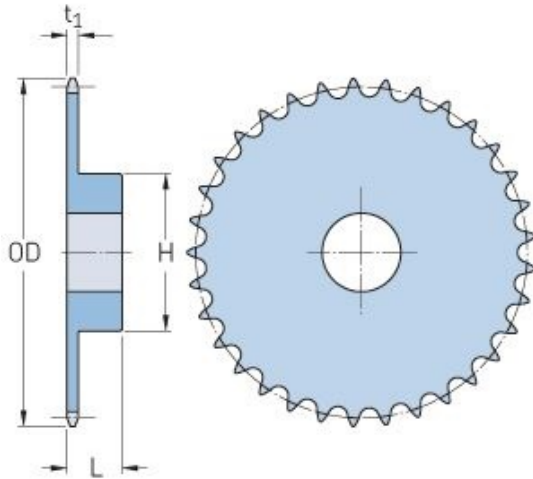


PHS 80-1B54



Pitch P (in)	1
No. of teeth	54
Diameter (in)	17.77
Min. bore (in)	1.25
Max. bore (in)	3.5
Hub H (in)	5.25
Hub L (in)	2
Weight (lbs)	44.7