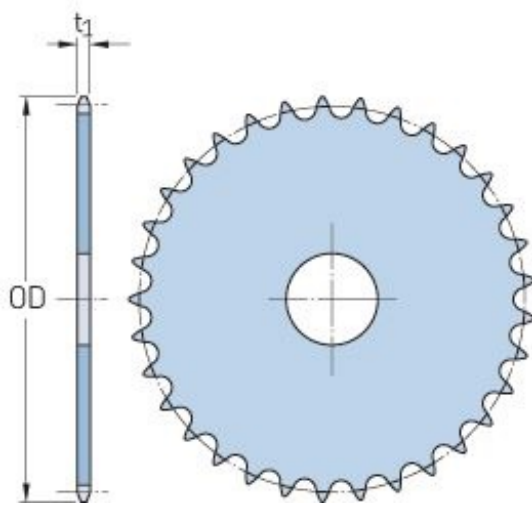


PHS 80-1A55



Pitch P (in)	1
No. of teeth	55
Diameter (in)	18.09
Min. bore (in)	-
Max. bore (in)	-
Hub H (in)	-
Hub L (in)	-
Weight (lbs)	37.5