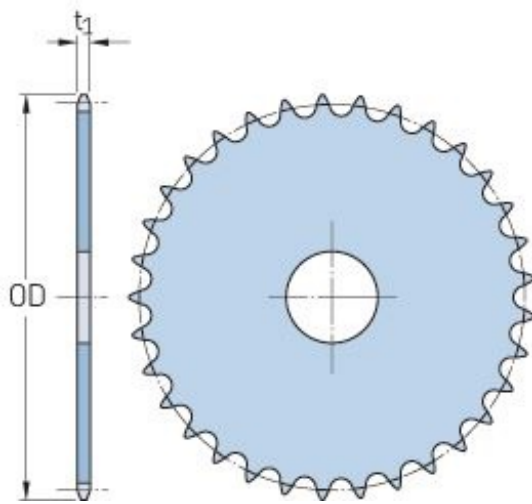


PHS 80-1A57



| | |
|----------------|-------|
| Pitch P (in) | 1 |
| No. of teeth | 57 |
| Diameter (in) | 18.73 |
| Min. bore (in) | - |
| Max. bore (in) | - |
| Hub H (in) | - |
| Hub L (in) | - |
| Weight (lbs) | 40.4 |