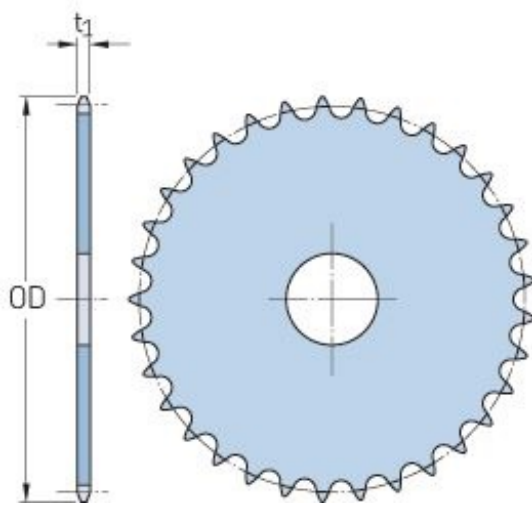


# PHS 80-1A72



Pitch P (in)	1
No. of teeth	72
Diameter (in)	23.5
Min. bore (in)	-
Max. bore (in)	-
Hub H (in)	-
Hub L (in)	-
Weight (lbs)	65.7