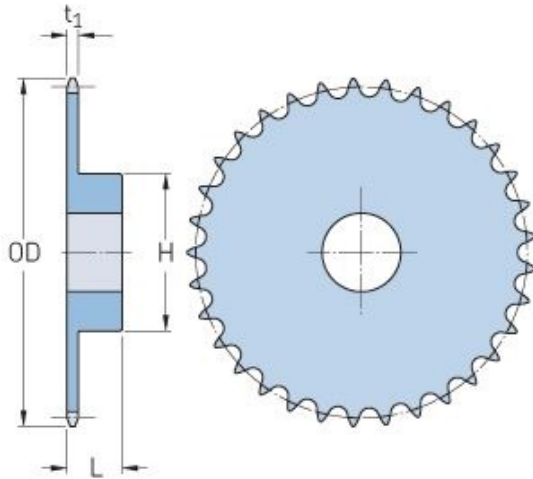


PHS 100-1B28



Pitch P (in)	1.25
No. of teeth	28
Diameter (in)	11.84
Min. bore (in)	1.25
Max. bore (in)	3.31
Hub H (in)	5
Hub L (in)	2
Weight (lbs)	24.4