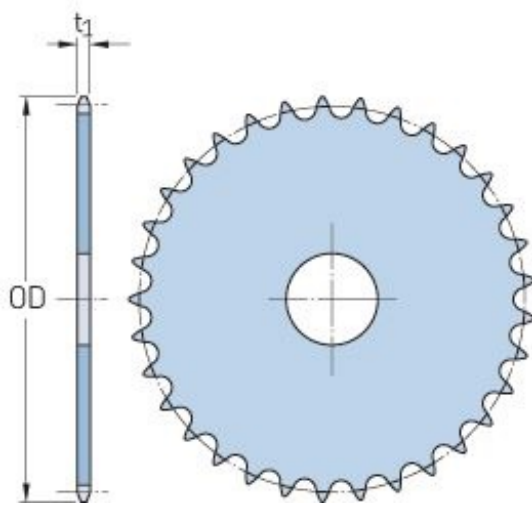


# PHS 120-1A28



Pitch P (in)	1.5
No. of teeth	28
Diameter (in)	14.21
Min. bore (in)	-
Max. bore (in)	-
Hub H (in)	-
Hub L (in)	-
Weight (lbs)	33.6