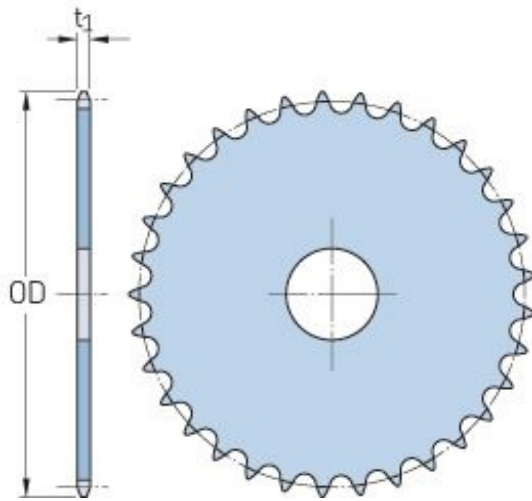


# PHS 160-1A70



Pitch P (in)	2
No. of teeth	70
Diameter (in)	45.73
Min. bore (in)	-
Max. bore (in)	-
Hub H (in)	-
Hub L (in)	-
Weight (lbs)	507