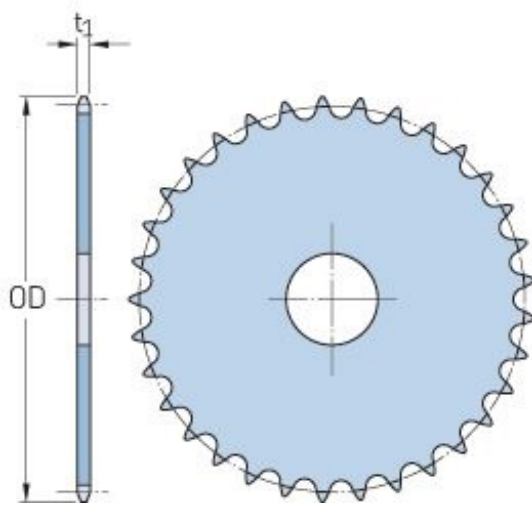


PHS 180-1A54



| | |
|----------------|-------|
| Pitch P (in) | 2.25 |
| No. of teeth | 54 |
| Diameter (in) | 39.98 |
| Min. bore (in) | - |
| Max. bore (in) | - |
| Hub H (in) | - |
| Hub L (in) | - |
| Weight (lbs) | 420 |