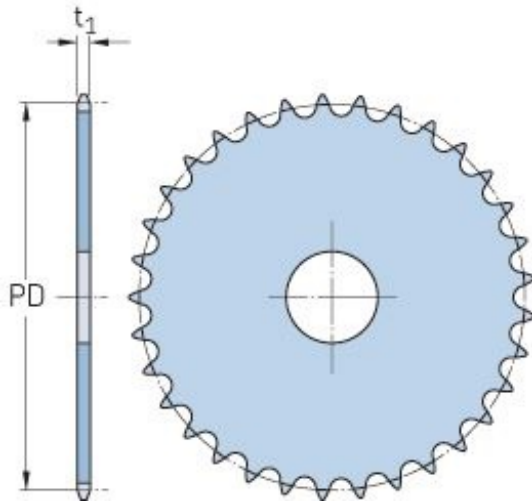


PHS 06B-1A45



| | |
|---------------------|--------|
| Pitch P (mm) | 9.52 |
| Pitch P (in) | 0.37 |
| No. of teeth | 45 |
| Pitch diameter (mm) | 136.55 |
| Pitch diameter (in) | 5.38 |
| Min. bore (mm) | - |
| Min. bore (in) | - |
| Max. bore (mm) | - |
| Max. bore (in) | - |
| Hub H (mm) | - |
| Hub H (in) | - |
| Hub L (mm) | - |
| Hub L (in) | - |
| Weight (kg) | 0.56 |
| Weight (lbs) | 1.23 |