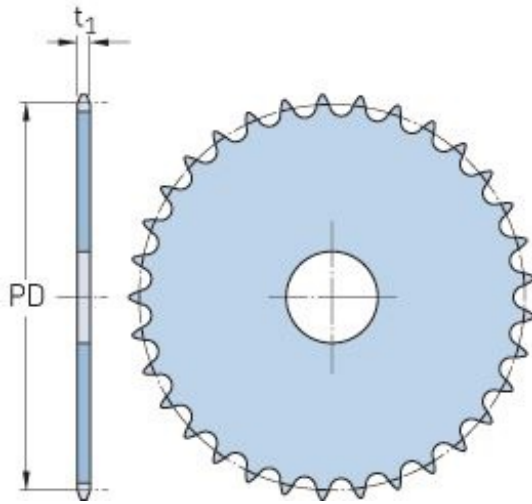


PHS 08B-1A13



| | |
|---------------------|------|
| Pitch P (mm) | 12.7 |
| Pitch P (in) | 0.5 |
| No. of teeth | 13 |
| Pitch diameter (mm) | 12.7 |
| Pitch diameter (in) | 0.5 |
| Min. bore (mm) | - |
| Min. bore (in) | - |
| Max. bore (mm) | - |
| Max. bore (in) | - |
| Hub H (mm) | - |
| Hub H (in) | - |
| Hub L (mm) | - |
| Hub L (in) | - |
| Weight (kg) | 0.1 |
| Weight (lbs) | 0.22 |