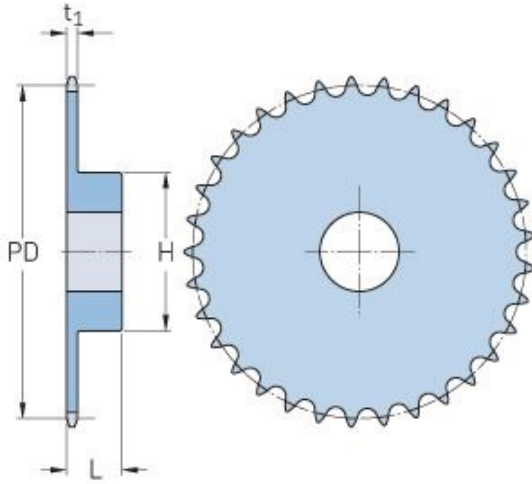


# PHS 10B-1B96



Pitch P (mm)	15.88
Pitch P (in)	0.63
No. of teeth	96
Pitch diameter (mm)	15.88
Pitch diameter (in)	0.63
Min. bore (mm)	20
Min. bore (in)	0.79
Max. bore (mm)	70
Max. bore (in)	2.76
Hub H (mm)	100
Hub H (in)	3.94
Hub L (mm)	50
Hub L (in)	1.97
Weight (kg)	14
Weight (lbs)	30.86