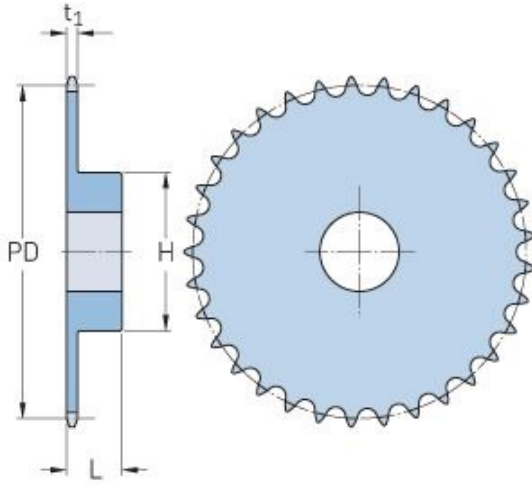


PHS 12B-1B96



Pitch P (mm)	19.05
Pitch P (in)	0.75
No. of teeth	96
Pitch diameter (mm)	582.23
Pitch diameter (in)	22.92
Min. bore (mm)	20
Min. bore (in)	0.79
Max. bore (mm)	92
Max. bore (in)	3.62
Hub H (mm)	110
Hub H (in)	4.33
Hub L (mm)	56
Hub L (in)	2.2
Weight (kg)	18.98
Weight (lbs)	41.84