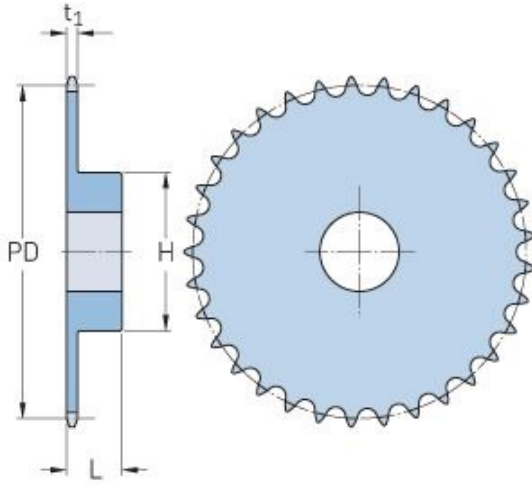


PHS 16B-1B33



| | |
|---------------------|--------|
| Pitch P (mm) | 25.4 |
| Pitch P (in) | 1 |
| No. of teeth | 33 |
| Pitch diameter (mm) | 267.21 |
| Pitch diameter (in) | 10.52 |
| Min. bore (mm) | 25 |
| Min. bore (in) | 0.98 |
| Max. bore (mm) | 76 |
| Max. bore (in) | 2.99 |
| Hub H (mm) | 120 |
| Hub H (in) | 4.72 |
| Hub L (mm) | 50 |
| Hub L (in) | 1.97 |
| Weight (kg) | 9.63 |
| Weight (lbs) | 21.23 |