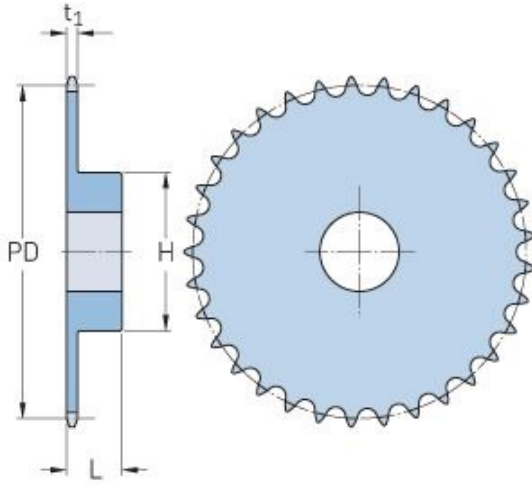


PHS 16B-1B36



Pitch P (mm)	25.4
Pitch P (in)	1
No. of teeth	36
Pitch diameter (mm)	291.44
Pitch diameter (in)	11.47
Min. bore (mm)	25
Min. bore (in)	0.98
Max. bore (mm)	76
Max. bore (in)	2.99
Hub H (mm)	120
Hub H (in)	4.72
Hub L (mm)	50
Hub L (in)	1.97
Weight (kg)	10.9
Weight (lbs)	24.03