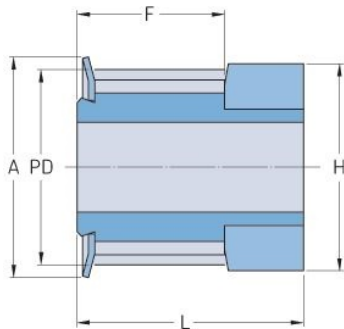


PHP 15-3M-09RSB



No. of teeth	15
Pitch diameter (mm)	14.32
Outside diameter (mm)	13.56
Pulley type	0F
Min. bore (mm)	-
Max. bore (mm)	8
Flange A (mm)	17.5
H	17.5
F	10.2
L	17.5
Weight (kg)	0.08