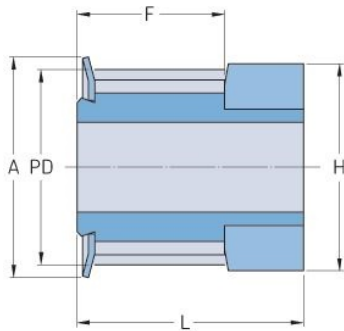


PHP 10-3M-15RSB



No. of teeth	10
Pitch diameter (mm)	9.55
Outside diameter (mm)	8.79
Pulley type	0F
Min. bore (mm)	-
Max. bore (mm)	3
Flange A (mm)	13
H	13
F	17
L	26
Weight (kg)	0.04