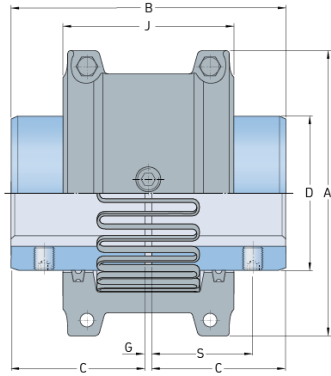


# PHE 1050TGHCOVER



Size	1050
Nominal torque (lbft)	320.84
Nominal torque (Nm)	435
Min. bore (mm)	12
Max speed (r/min)	4500
Min. bore (in)	0.47
Max. bore (mm)	50
Max. bore (in)	1.97
Weight (kg)	0.9
Weight (lbs)	1.98