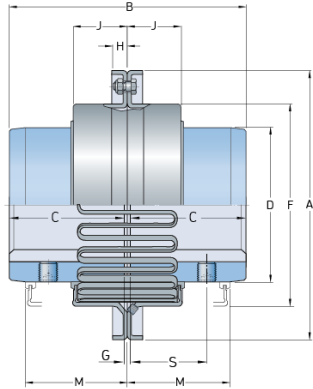


# PHE 1070TGRSB



Size	1070
Nominal torque (lbft)	733.14
Nominal torque (Nm)	994
Min. bore (mm)	20
Max speed (r/min)	4125
Min. bore (in)	0.75
Max. bore (mm)	67
Max. bore (in)	2.64
Weight (kg)	4
Weight (lbs)	8.82