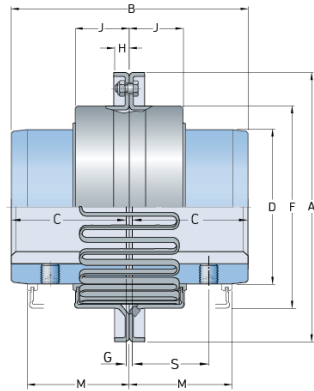


# PHE 1100TGRSB



Size	1100
Nominal torque (lbft)	4631.89
Nominal torque (Nm)	6280
Min. bore (mm)	42
Max speed (r/min)	3250
Min. bore (in)	1.65
Max. bore (mm)	110
Max. bore (in)	4.33
Weight (kg)	16.4
Weight (lbs)	36.16