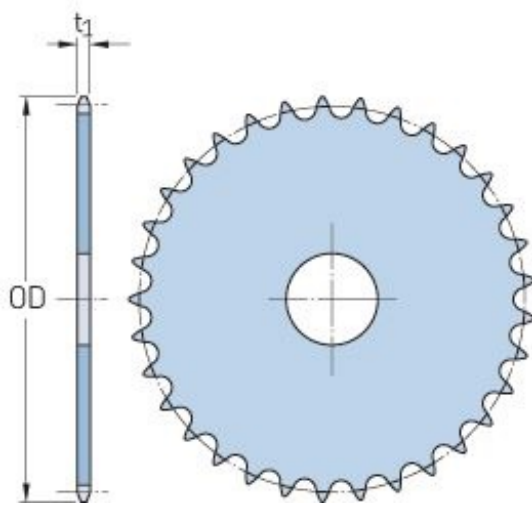


# PHS 50-1AH34



Pitch P (in)	0.63
No. of teeth	34
Diameter (in)	7.12
Min. bore (in)	-
Max. bore (in)	-
Hub H (in)	-
Hub L (in)	-
Weight (lbs)	-