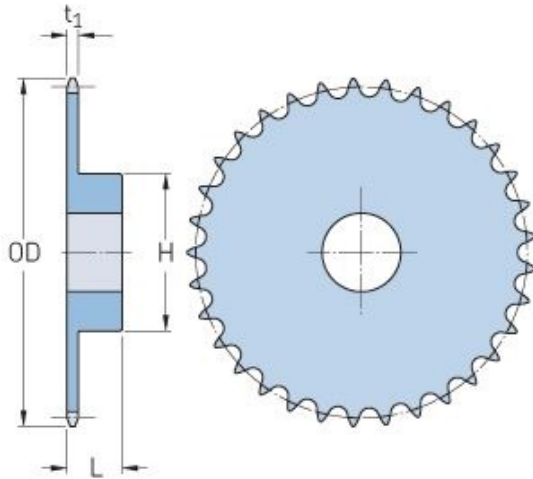


PHS 60-1BH16



Pitch P (in)	0.75
No. of teeth	16
Diameter (in)	4.22
Min. bore (in)	0.75
Max. bore (in)	2
Hub H (in)	3.06
Hub L (in)	1.25
Weight (lbs)	-