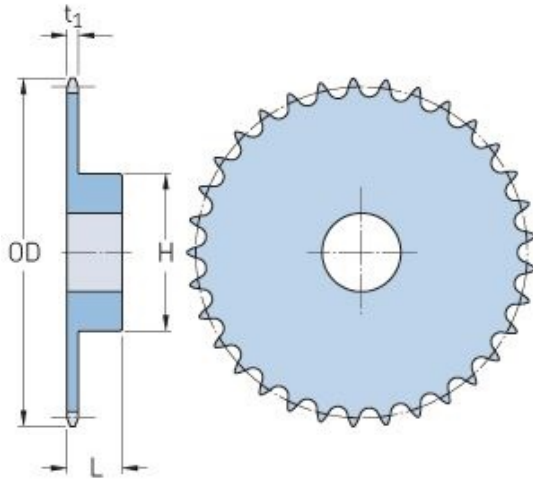


# PHS 80-1BH8



Pitch P (in)	1
No. of teeth	8
Diameter (in)	3.01
Min. bore (in)	1
Max. bore (in)	1
Hub H (in)	1.94
Hub L (in)	1.63
Weight (lbs)	-