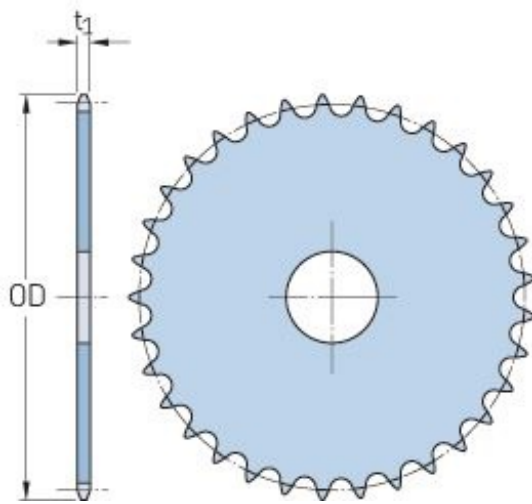


# PHS 80-1AH12



Pitch P (in)	1
No. of teeth	12
Diameter (in)	4.33
Min. bore (in)	-
Max. bore (in)	-
Hub H (in)	-
Hub L (in)	-
Weight (lbs)	-