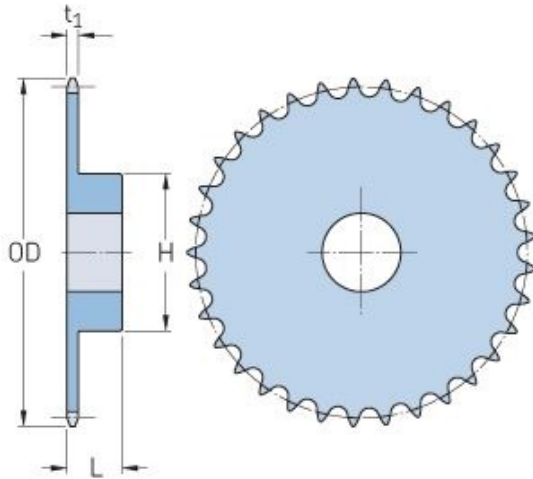


PHS 100-1BH25



Pitch P (in)	1.25
No. of teeth	25
Diameter (in)	10.65
Min. bore (in)	1.25
Max. bore (in)	3
Hub H (in)	4.5
Hub L (in)	2
Weight (lbs)	-