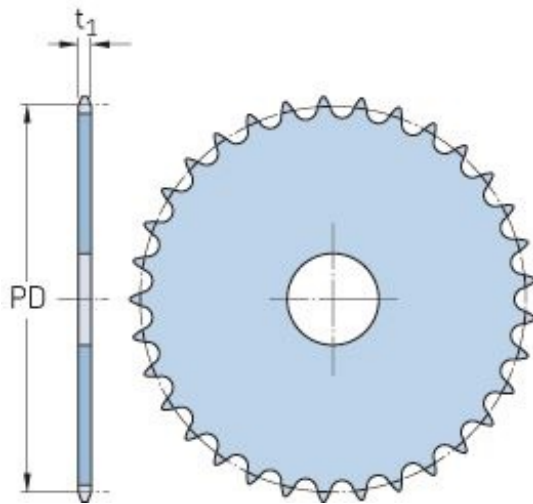


PHS 160-1AH18



Pitch P (in)	2
No. of teeth	18
Diameter (in)	12.54
Min. bore (in)	-
Max. bore (in)	-
Hub H (in)	-
Hub L (in)	-
Weight (lbs)	-