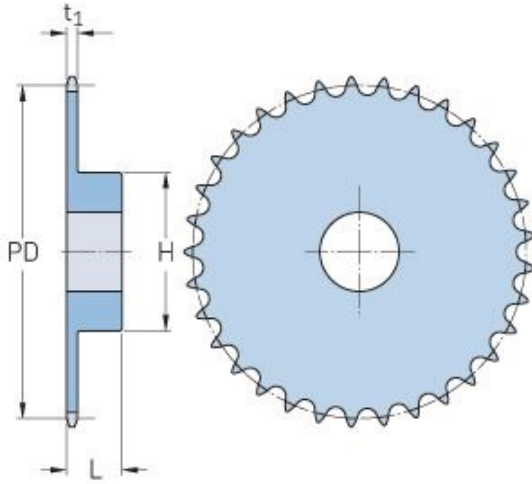


PHS 16B-1BH23



| | |
|---------------------|--------|
| Pitch P (mm) | 25.4 |
| Pitch P (in) | 1 |
| No. of teeth | 23 |
| Pitch diameter (mm) | 186.53 |
| Pitch diameter (in) | 7.34 |
| Min. bore (mm) | - |
| Min. bore (in) | - |
| Max. bore (mm) | - |
| Max. bore (in) | - |
| Hub H (mm) | - |
| Hub H (in) | - |
| Hub L (mm) | - |
| Hub L (in) | - |
| Weight (kg) | 5.66 |
| Weight (lbs) | 12.48 |