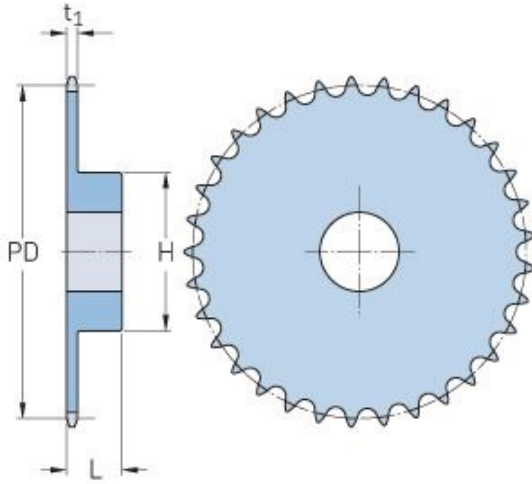


PHS 20B-1BH20



Pitch P (mm)	31.75
Pitch P (in)	1.25
No. of teeth	20
Pitch diameter (mm)	202.96
Pitch diameter (in)	7.99
Min. bore (mm)	25
Min. bore (in)	0.98
Max. bore (mm)	76
Max. bore (in)	2.99
Hub H (mm)	120
Hub H (in)	4.72
Hub L (mm)	50
Hub L (in)	1.97
Weight (kg)	6.35
Weight (lbs)	14