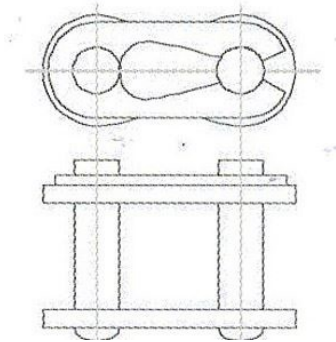


# PHC 50-2C/L



|              |     |
|--------------|-----|
| Type of link | C/L |
|--------------|-----|