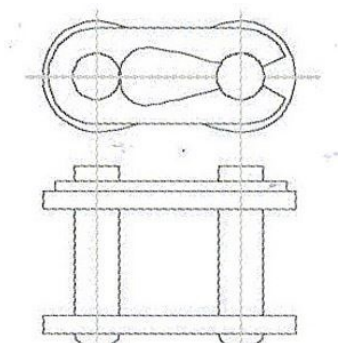


PHC 10B-2C/L



Type of link

C/L