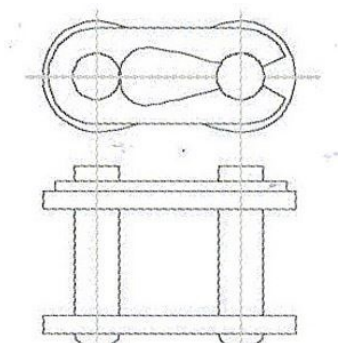


# PHC 06B-3C/L



Type of link	C/L
--------------	-----