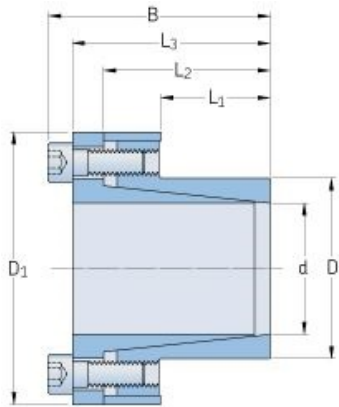


PHF FX20-10X16



Bushing no.	FX20
d (mm)	10
d (in)	0.39
D (mm)	16
d_w (mm)	-
L (mm)	-
L_1 (mm)	14
L_2 (mm)	23
L_3 (mm)	26
B (mm)	30
D_1 (mm)	28
d_1 (mm)	-
e (mm)	-
F_t Transmissible axial force (kN)	9.98
M_t Transmissible torque (Nm)	49
P_w Shaft surface pressure (N/mm ²)	180
P_n Hub surface pressure (N/mm ²)	120
Clamp screws Qty	4
Clamp screws size	M4
Clamp screws nut	-
M_s Screw tightening torque (Nm)	4.9
Weight (kg)	0.06