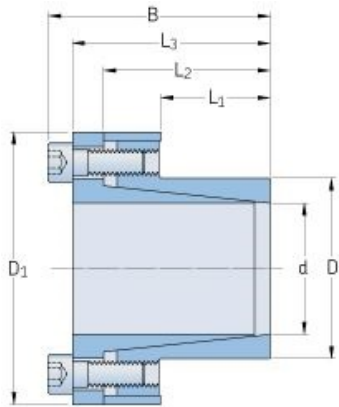


# PHF FX20-14X23



|   |      |
|---|------|
| Bushing no.                                       | FX20 |
| d (mm)  | 14   |
| d (in)  | 0.55 |
| D (mm)  | 23   |
| $d_w$ (mm)  | -    |
| L (mm)  | -    |
| $L_1$ (mm)  | 14   |
| $L_2$ (mm)  | 23   |
| $L_3$ (mm)  | 26   |
| B (mm)  | 30   |
| $D_1$ (mm)  | 38   |
| $d_1$ (mm)  | -    |
| e (mm)  | -    |
| $F_t$ Transmissible axial force (kN)              | 9.98 |
| $M_t$ Transmissible torque (Nm)                   | 70   |
| $P_w$ Shaft surface pressure (N/mm <sup>2</sup> ) | 135  |
| $P_n$ Hub surface pressure (N/mm <sup>2</sup> )   | 85   |
| Clamp screws Qty                                  | 4    |
| Clamp screws size                                 | M4   |
| Clamp screws nut                                  | -    |
| $M_s$ Screw tightening torque (Nm)                | 4.9  |
| Weight (kg)                                       | 0.1  |