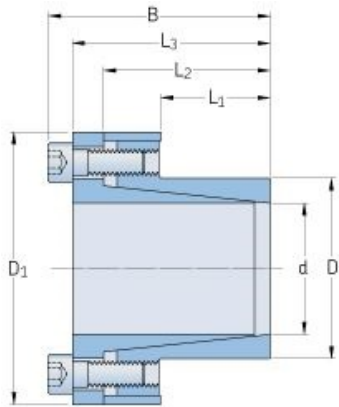


PHF FX20-48X62



Bushing no.	FX20
d (mm)	48
d (in)	1.89
D (mm)	62
d _w (mm)	-
L (mm)	-
L ₁ (mm)	45
L ₂ (mm)	62
L ₃ (mm)	70
B (mm)	78
D ₁ (mm)	87
d ₁ (mm)	-
e (mm)	-
F _t Transmissible axial force (kN)	84
M _t Transmissible torque (Nm)	2010
P _w Shaft surface pressure (N/mm ²)	105
P _n Hub surface pressure (N/mm ²)	80
Clamp screws Qty	8
Clamp screws size	M8
Clamp screws nut	-
M _s Screw tightening torque (Nm)	41
Weight (kg)	1.2