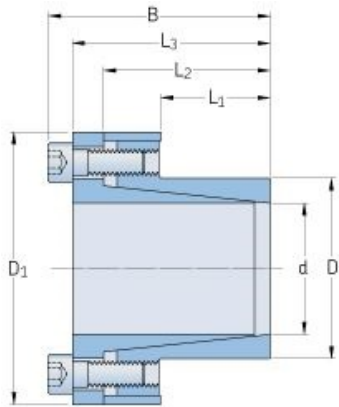


# PHF FX20-100X125



Bushing no.	FX20
d (mm)	100
d (in)	3.94
D (mm)	125
$d_w$ (mm)	-
L (mm)	-
$L_1$ (mm)	65
$L_2$ (mm)	86
$L_3$ (mm)	96
B (mm)	106
$D_1$ (mm)	154
$d_1$ (mm)	-
e (mm)	-
$F_t$ Transmissible axial force (kN)	300
$M_t$ Transmissible torque (Nm)	15000
$P_w$ Shaft surface pressure (N/mm <sup>2</sup> )	120
$P_n$ Hub surface pressure (N/mm <sup>2</sup> )	95
Clamp screws Qty	18
Clamp screws size	M10
Clamp screws nut	-
$M_s$ Screw tightening torque (Nm)	83
Weight (kg)	4.6