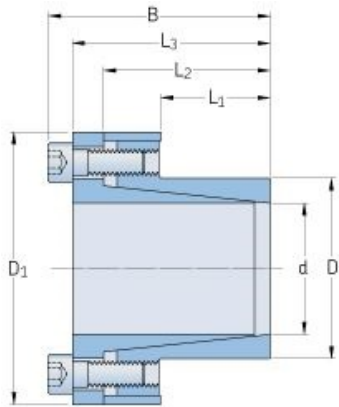


PHF FX20-130X165



Bushing no.	FX20
d (mm)	130
d (in)	5.12
D (mm)	165
d_w (mm)	-
L (mm)	-
L_1 (mm)	90
L_2 (mm)	114
L_3 (mm)	128
B (mm)	140
D_1 (mm)	208
d_1 (mm)	-
e (mm)	-
F_t Transmissible axial force (kN)	384
M_t Transmissible torque (Nm)	25000
P_w Shaft surface pressure (N/mm ²)	90
P_n Hub surface pressure (N/mm ²)	70
Clamp screws Qty	16
Clamp screws size	M12
Clamp screws nut	-
M_s Screw tightening torque (Nm)	145
Weight (kg)	11.3