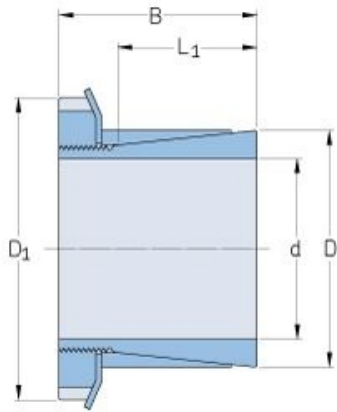


PHF FX90-32X45



Bushing no.	FX90
d (mm)	32
d (in)	1.26
D (mm)	45
d _w (mm)	-
L (mm)	-
L ₁ (mm)	30
L ₂ (mm)	-
L ₃ (mm)	-
B (mm)	44
D ₁ (mm)	58
d ₁ (mm)	-
e (mm)	-
F _t Transmissible axial force (kN)	21
M _t Transmissible torque (Nm)	350
P _w Shaft surface pressure (N/mm ²)	60
P _n Hub surface pressure (N/mm ²)	45
Clamp screws Qty	-
Clamp screws size	KM8
Clamp screws nut	-
M _s Screw tightening torque (Nm)	480
Weight (kg)	0.32