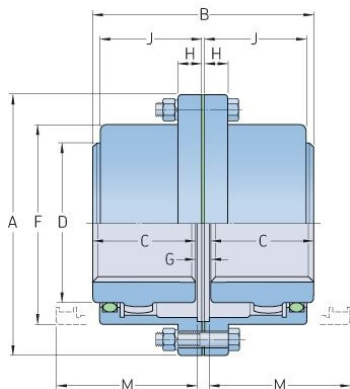


# PHE 45GCSET



Size	45 GC
Power per 100 r/min (kW)	440
Power per 100 r/min (HP)	589.81
Rated torque (Nm)	42000
Rated torque (lbft)	30977.61
Speed Max. (r/min)	3200
Bore diameter Min. (mm)	77
Bore diameter Min. (in)	3.03
Bore diameter Max. (mm)	183
Bore diameter Max. (in)	7.2
A (mm)	346
A (in)	13.62
B (mm)	278
B (in)	10.94
C (mm)	135
C (in)	5.31
D (mm)	235
D (in)	9.25
F (mm)	274
F (in)	10.79
H (mm)	28.4
H (in)	1.12
J (mm)	123
J (in)	4.84

® SKF is a registered trademark of the SKF Group

© SKF Group 2012

The contents of this publication are the copyright of the publisher and may not be reproduced (even extracts) unless prior written permission is granted. Every care has been taken to ensure the accuracy of the information contained in this publication but no liability can be accepted for any loss or damage whether direct, indirect or consequential arising out of the use of the information contained herein.

M (mm)	166
M (in)	6.54
Gap G Min. (mm)	8
Gap G Min. (in)	0.31
Lubricant mass (kg)	1.04
Lubricant mass (lbs)	2.29
Coupling mass without bore and min. DBSE (kg)	136
Coupling mass without bore and min. DBSE (lbs)	299.83
Weight (kg)	136
Weight (lbs)	299.83

® SKF is a registered trademark of the SKF Group

© SKF Group 2012

The contents of this publication are the copyright of the publisher and may not be reproduced (even extracts) unless prior written permission is granted. Every care has been taken to ensure the accuracy of the information contained in this publication but no liability can be accepted for any loss or damage whether direct, indirect or consequential arising out of the use of the information contained herein.

